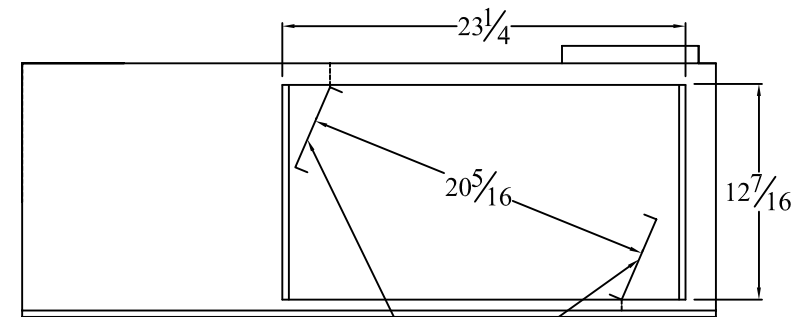
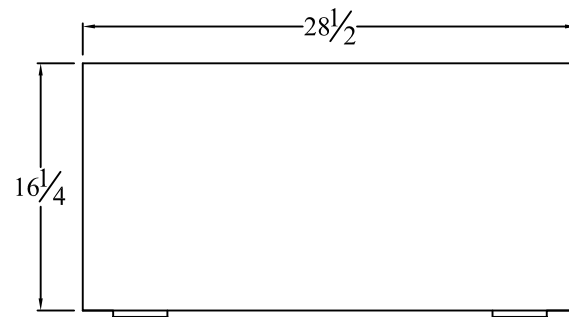
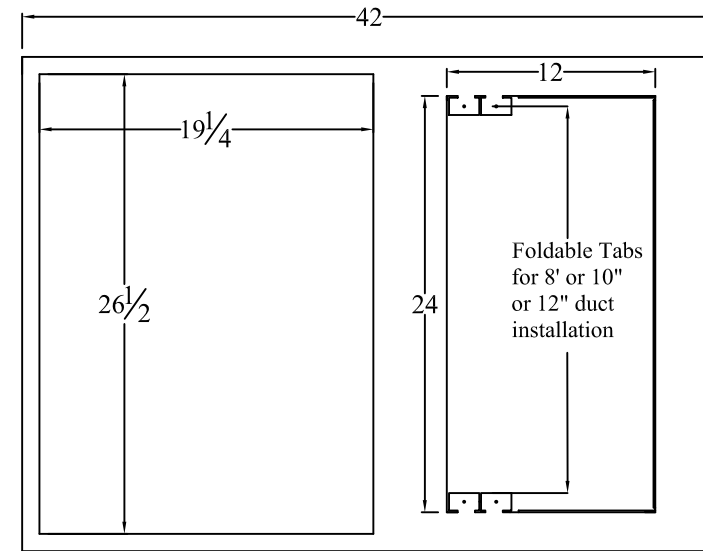
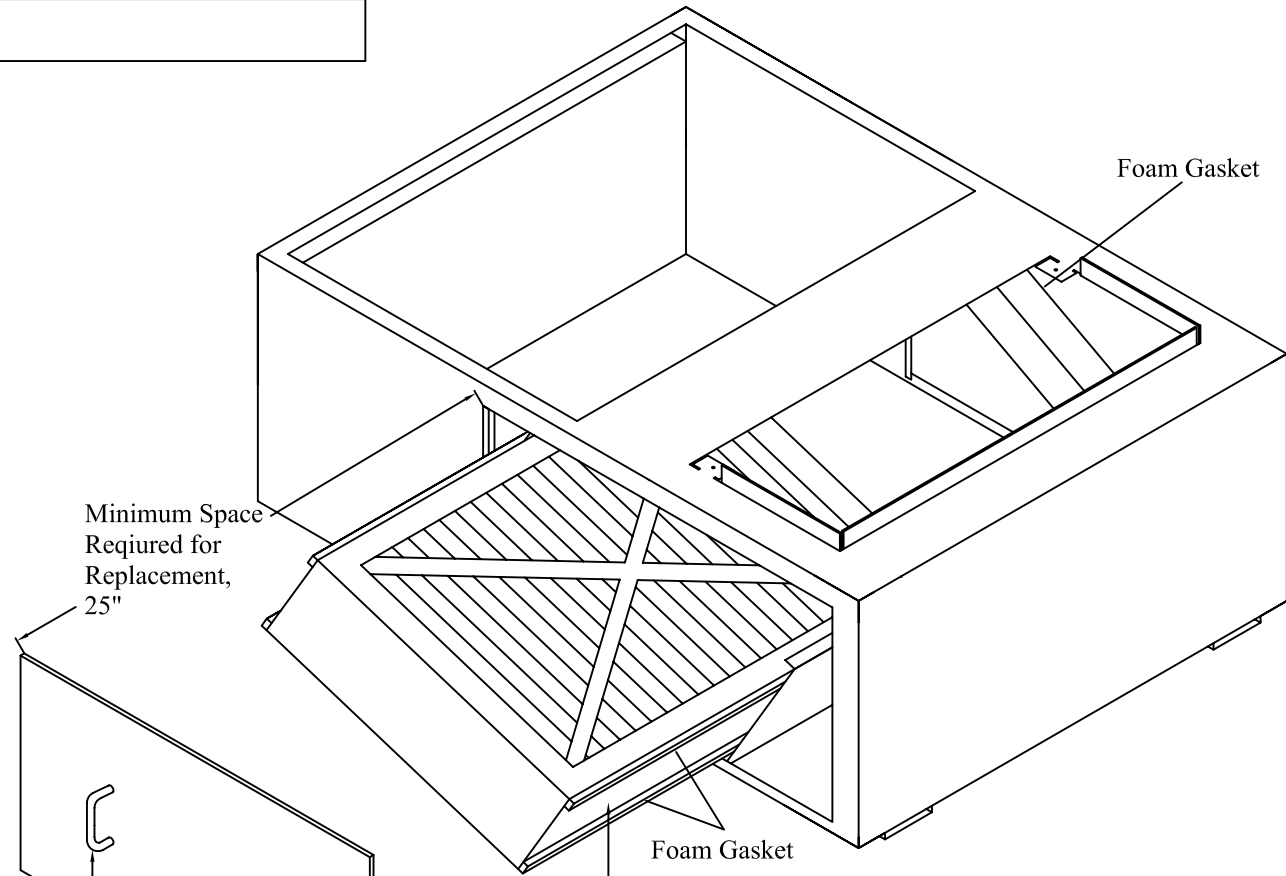


Specifications

Material: 20/26 Gauge Domestic Steel (Low Lead Content)

Design Weight Capacity: 300 lbs.

Pressure Drop @ 1200 CFM: .13 Inches of H₂O



Heavy duty 20 gauge galvanized steel feet

Ultravation, Inc. 212 Ideal Way Poultney Vermont 05764. Ph: 866-468-8247 Fx: 802-287-9203 www.Ultravation.com	Part #: 90-035	Drawing #: DC-IH-3030	Rev -A
	Description: Insulated Furnace support box SBL system, w/ 20x25x5 MERV-11 filter, standard powder coated finish.		
Date: 1/1/11	Scale:	Creator: JSM	