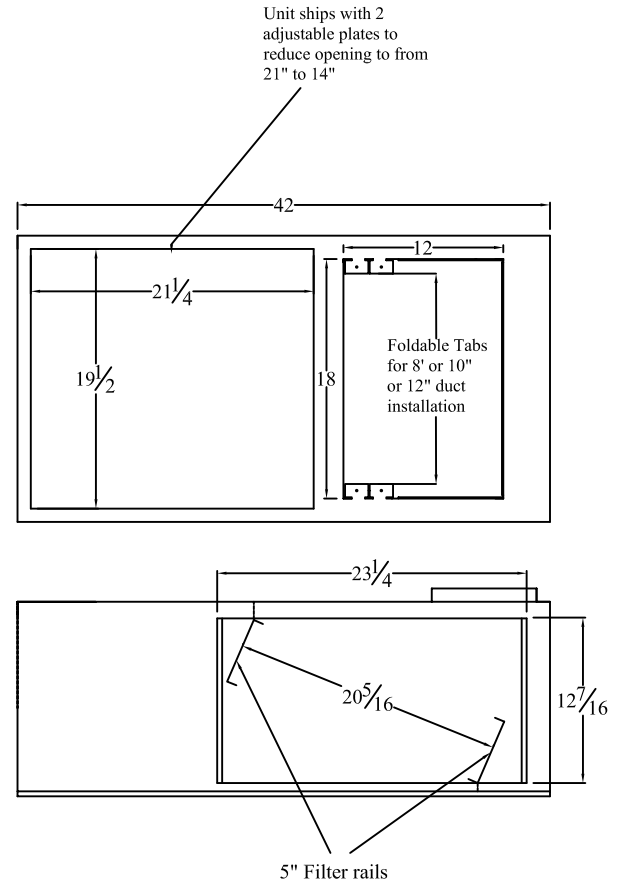
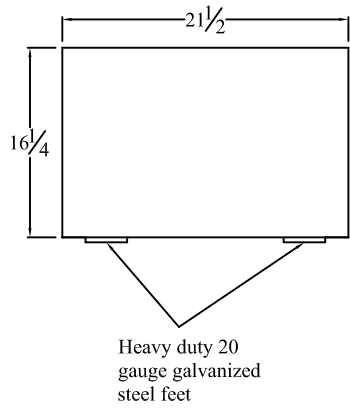
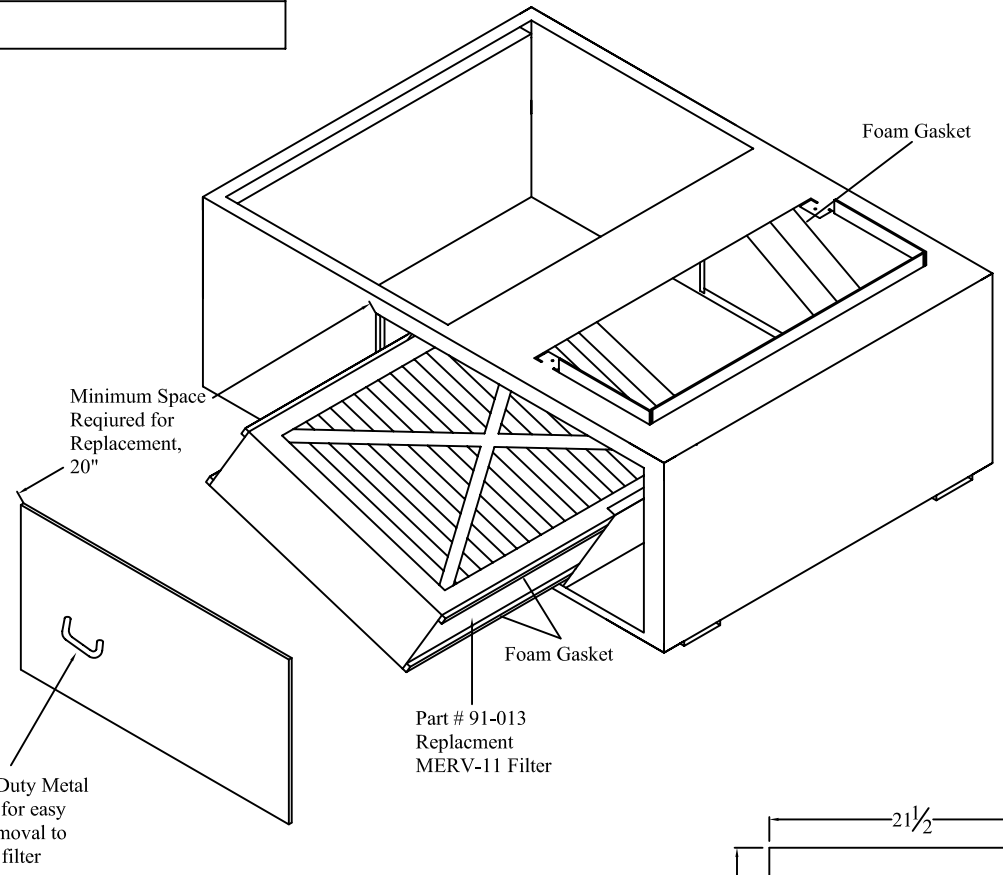


# Specifications

Material: 20/26 Gauge Domestic Steel (Low Lead Content)

Design Weight Capacity: 300 lbs.

Pressure Drop @ 1200 CFM: .14 Inches of H<sub>2</sub>O



**Ultravation, Inc.**  
 212 Ideal Way  
 Poultney Vermont 05764.  
 Ph: 802-247-9735  
 Fx: 802-247-9203  
 www.Ultravation.com

Part #: 90-042	Drawing #: DC-1H-3337	Rev -*
Description: Insulated Air Handler support box AHSB system, w/ 20x20x5 MERV-11 filter, standard powder coated white finish.		
Date: 11/09/12	Scale:	Creator: WEF