



PHANTOM Series

Pedestal Kit Assembly and Installation Instructions

080-120 Kit - PN 430650

150-180 Kit - PN 430651

WARNING: Improper installation, adjustment, alteration, service or maintenance can cause property damage, injury, or loss of life. For assistance or additional information, consult a qualified installer, service agency or the gas supplier. Read these instructions, and those supplied with the boiler itself, carefully before installing.

These instructions cover two kits. One sized for the PHNTM080, PHNTM100 & PHNTM120 and the other sized for the PHNTM150 and PHNTM180 allowing these boilers to be floor mounted. See Figure 1 for basic pedestal dimensions. The floor must be level, un-carpeted, and may be either combustible or non-combustible. Refer to the installation instructions supplied with the boiler, as well as applicable local codes, for additional location requirements.

Gas piping, system supply and return piping and the condensate drain hose can be routed through either side panel of the pedestal or through the opening on the rear panel.

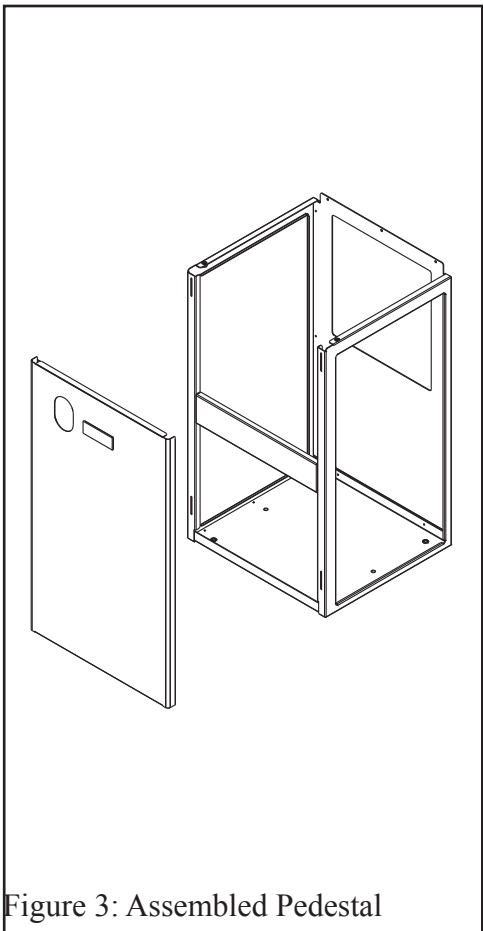
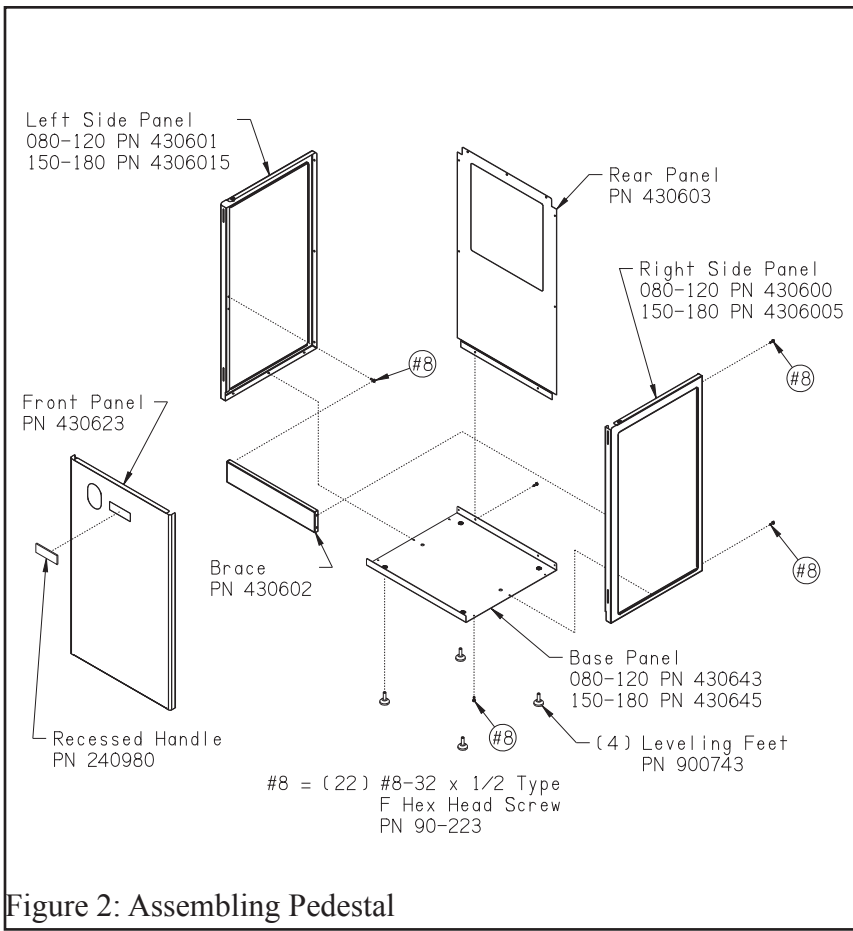
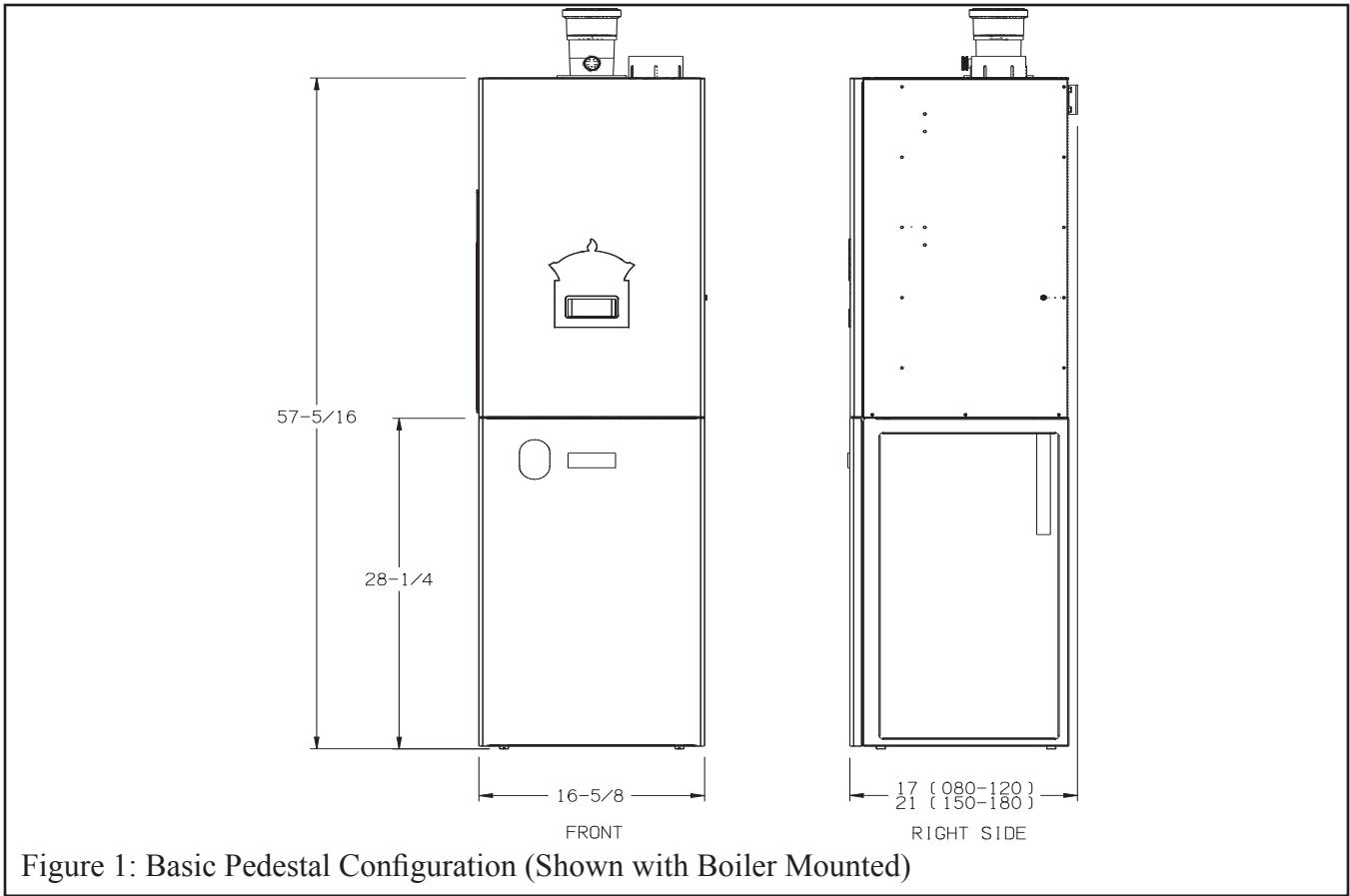
Electrical wiring may be routed in the same manner as the piping and then through one of the 7/8" knockouts located in the bottom panel towards the front of the boiler.

Pedestal Assembly Instructions

1. Refer to Figures 2 & 3 for pedestal assembly.
2. All #8-32 x 1/2" Type F screws to assemble pedestal and attach it to the boiler are provided.
3. Assemble the pedestal by first attaching the four supplied leveling feet to the bottom of the base.
4. Orient the base as shown in Figure 2 and center the offset flange of the rear panel to the inside of rear base flange and attach with two #8 screws.

CAUTION

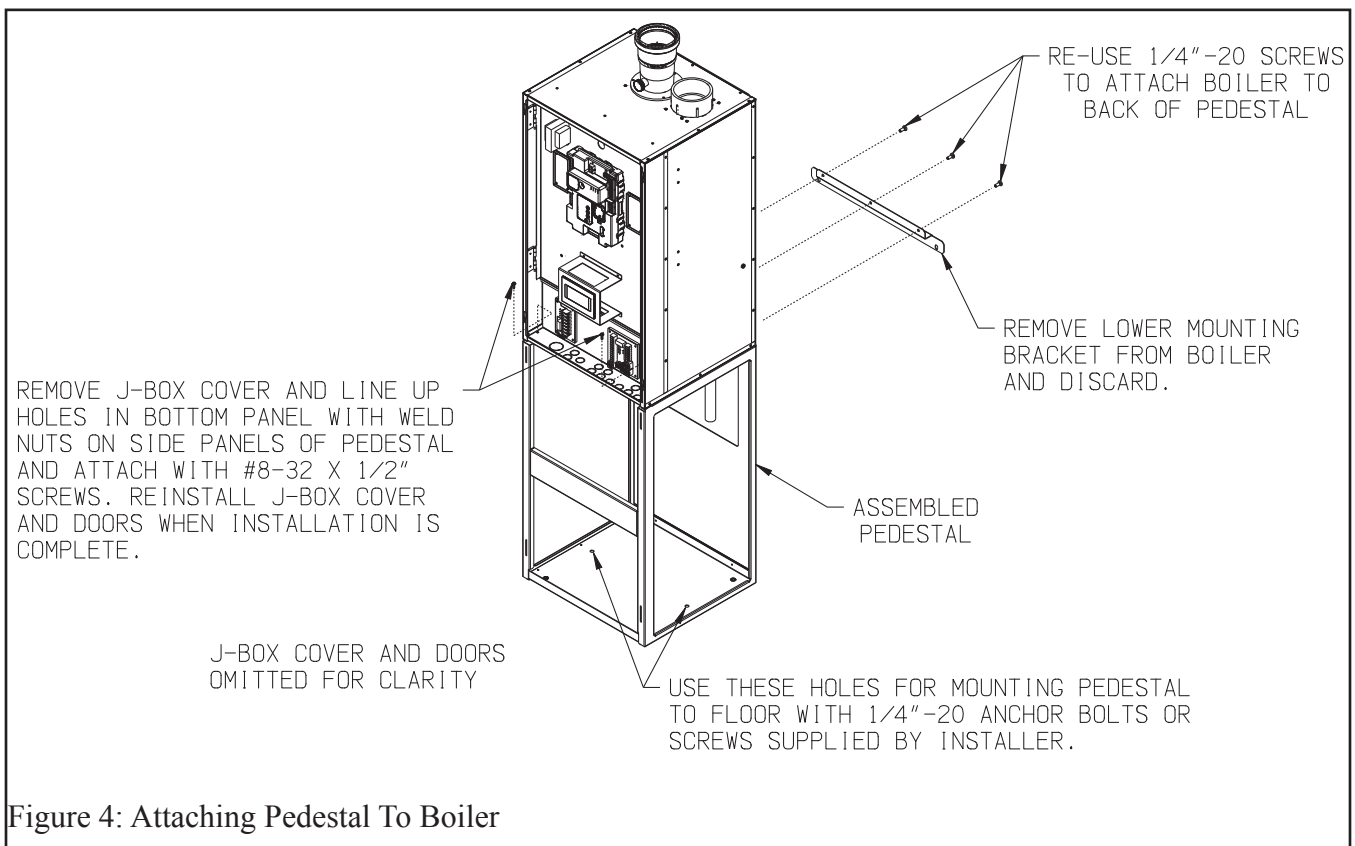
This pedestal is **not** a listed electrical enclosure. Protect all wiring passing through the pedestal from abrasion and strain as required by the National Electric Code (ANSI/NFPA 70) or applicable local codes.



5. Place the bottom flange of the left side panel under the base and attach with three #8 screws along the bottom and three #8 screws along the back flange into the rear panel.
6. Repeat procedure in Step 5 for right side panel.
7. Line up the holes on the side flange of the brace with the holes on the inner flanges of the left and right side panels and attach with four #8 screws.
8. Insert the plastic handle in rectangular slot in door and push until it snaps in place.

Instructions To Attach Pedestal to Boiler

1. Refer to Figure 4 for attaching the pedestal to boiler.
2. Remove the lower mounting bracket from the rear of the boiler saving the 1/4"-20 x 1/2" screws for re-use. Discard the bracket.
3. Place the boiler on top of the pedestal, aligning the holes located on the rear panel with the mounting holes used to attach the lower mounting bracket on the boiler. Re-install the 1/4"-20 screws to attach the rear pedestal panel to the boiler.
4. Remove the j-box cover from the lower front of the boiler.
5. Line up the holes on the far left and right of the bottom panel with the weld nut on each of the side panels of the pedestal. Use the remaining #8-32 x 1/2" screws provided to attach the boiler to the side panels of the pedestal.
6. Reinstall the j-box cover and doors when installation is complete.



Manufacturer of Hydronic Heating Products
 P.O. Box 14818 3633 I. Street
 Philadelphia, PA 19134
 www.crownboiler.com

PN: 980123
 Rev. 0, 3-15